

All Stainless Steel Low Pressure Capsule Gauge



Technical Specification

Size: 63, 75, 100, 150, 200, 250mm

Pressure range: -0.1MPa~0~100kpa

Socket: Heavy-duty 304SS or 316ss

Mounting: lower mount or back mount

Connection thread: NPT, BSP customized threads

Tube: 304SS or 316 SS

Case: 304 Stainless steel

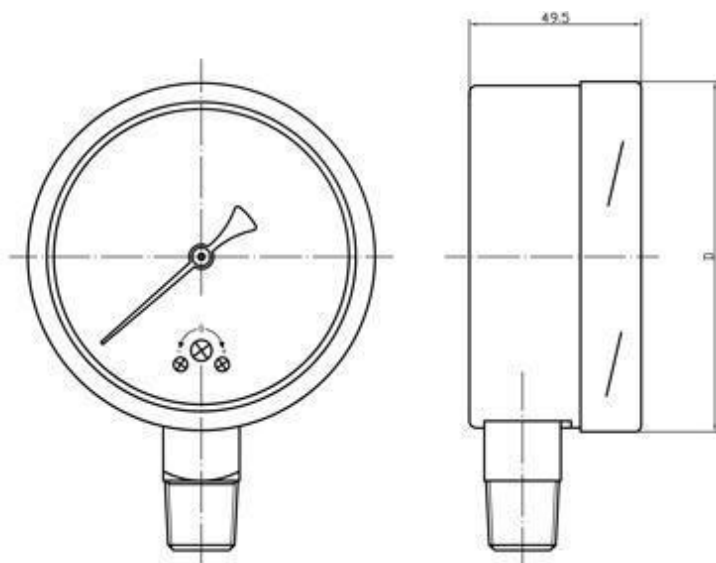
Bezel: Removable stainless steel bezel

Window (lens): Polycarbonate, glass and acrylic

Dial plate: Single and dual scale (psi, kpa, mpa, bar, kg/cm²)

Accuracy: 1.6%, 2.5% (ASME B40.1 Grade B)

Ambient temperature: -25~55°C



	D	H	R	B2	h1	d
2.5"	#67	39	55	21.5	13	1/4NPT
4"	#100	49.5	84.5	34.5	20	1/2NPT
6"	#161	50.5	120	39.5	20	1/2NPT