

Model MC2040 Universal Differential Pressure Switch



MC2040 differential pressure switch is a kind of delicate, flexible and convenient differential pressure switch. It is equipped with a mechanical mechanism. When the differential pressure rises or falls, the corresponding mechanism produces stretch or contraction displacement, and then push the switch action through the lever, cut off or switch on the control loop. MC2040 differential pressure switch has exquisite window to display the actual pressure value, and has the adjustment knob to adjust the differential pressure control value.

Characteristics:

- Compact structure
- Wide range of measurement
- High repeatability
- Set point adjustable
- Normally open normally close contacts, large contact capacity
- Wide temperature range of the measuring medium.

Specifications:

- Range of measurement: see table below
- Output: normally open and normally close
- Contact capacity: DC42V, 3A , DC125V, 12A, AC250V, 12A
- Medium temperature: (-45) - 120°C
- Protection level: IP33
- Connection thread: thread 1/4 "SAE" or G1/4
- Wiring Connection: terminal connection

- Material: brass nickel plated shell NBR

Parameters (Unit: Bar):

Model	Range	Hysteresis	Default Setting	Reset Time	Maximum Pressure
MC2040-1.5C	0.3~1.5	0.3	0.3		17
MC2040-2C	0.3~2	0.3	0.5		17
MC2040-4C	0.5~4	0.5	1		17
MC2040-4H	0.5~4	0.5	1		33
MC2040-6H	1~6	0.5	1		33
MC2040-4TC	0.5~4	0.5	1	45、60、90	17
MC2040-4TH	0.5~4	0.5	1	45、60、90	33
MC2040-6TH	1~6	0.5	1	45、60、90	33


Ordering Codes (Model Selections):

MC2040	Differential Pressure Switch	
-	Pressure range	Refer to above form of parameters
-	Material of Thread	-B: Brass -S: Stainless Steel
-C	Installment type	1: Tube fitting (Ø6) 2: Thread G1/4



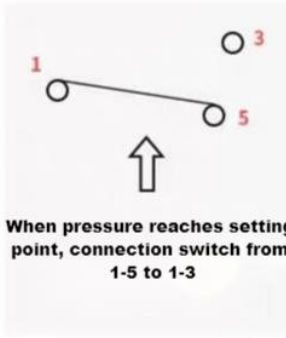
Wiring:

low pressure ———



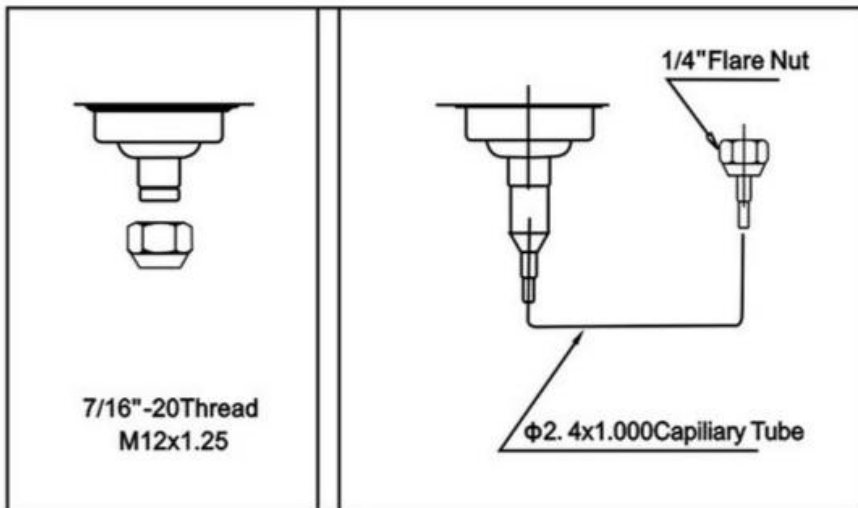
high pressure ———

Terminal 1 : com
Terminal 3 : NO
Terminal 5 : NC



When pressure reaches setting point, connection switch from 1-5 to 1-3

Connection:



Dimensions:

